

OPTICORE ET DISPLAYS

The OptiCORE ET displays are rugged, industrial grade interfaces providing technicians with easy access to the equipment status, parameter values, schedules, alarms, and trends.

Designed for panel or wall mounting, they can load existing Equipment Touch files or new Custom Touch files built in ViewBuilder. The displays offer a contemporary design and include an IP65 rating on the front of the display, a wide temperature range and vibration resistance.

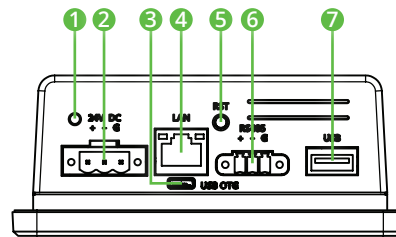
The user interface features are simple to operate for end users, but powerful enough to provide technicians a complete interface for maintaining equipment.

Key Features

- Fanless cooling system and ultra-low power consumption
- Front IP65 water and dust proof
- Access to virtually any data point in the controller
- Support for graphics and animations
- Schedule Interface – view and edit BACnet schedules
- Alarm Viewing – view the controller’s alarm history buffer
- Trending with support for pinch zoom and swiping to move along timeline
- Support for 13 languages
- Multi-level password protection
- PDF viewer
- Screen capture to USB flash drive
- Supports loading of .touch file stored on EQT2 displays or uploaded from controller

Customize for any application with

- WYSIWYG editor
- Simple and intuitive
- Library of interactive controls
- View file stored in controller
- 1 file supports multiple languages
- Create custom alarm text
- Assign passwords to screens
- Use conditional hide to allow one view file to work on similar equipment with varying features



1. LED for Power
2. Power Terminal Block
3. USB OTG
4. RJ45/LAN
5. Reset Button
6. RS485
7. USB Port

OptiCORE ET10 display

Part# EQT2-10



OptiCORE ET7 display

Part# EQT2-7



OptiCORE ET4 display

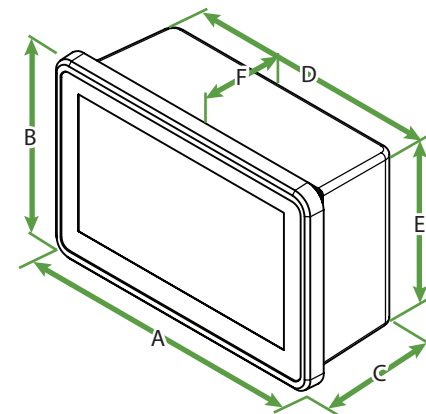
Part# EQT2-4



1025 Cobb Place Boulevard, Kennesaw, GA 30144 | 770-429-3060 | oemctrl.com

Specifications

	EQT2-4	EQT2-7	EQT2-10
Power: 50-60 Hz, Class 2	24 Vdc, .375A	24 Vdc, .375A	24 Vdc, .417A
Display: TFT	4.3" TFT (Widescreen)	7" TFT (Widescreen)	10.1" TFT (Widescreen)
Resolution	480 x 272 pixels (128 ppi)	1024 x 600 pixels (170 ppi)	1280 x 800 pixels (149 ppi)
Brightness	400 cd/m (typ.)	320 cd/m (typ.)	350 cd/m (typ.)
Contrast Ratio	1000:1 (typ.)	1000:1 (typ.)	800:1 (typ.)
Viewing Angle	-75~50(H); -75~75(V)	-75~70(H); -75~75(V)	-85~85(H); -85~85(V)
Max Colors	16.7M (8-bit)	16.7M (8-bit)	16.7M (8-bit)
Touch	Projected Capacitive Multi-Touch (P-CAP) (same for all)		
Operating Conditions	-4°F to 140°F (-20°C to 60°C) 10% to 90% RH (non-condensing) Front IP65 water and dust proof (rear: IP20) Vibration tested to IEC60068-2-64		
Storage Temperature	-13°F to 158°F (-25°C to 70°C)		
Communication	2-wire (115 kbps) for controller communication to Rnet For upgrades, file copying & screen captures For service Disabled (for future use)		
System	OS: Android 6.0		
Processor	Freescale Cortex A9 i.MX6 Dual Core 1GHz		
System Memory	1 GB LPDDR3 RAM		
Storage	8 GB onboard eMMC Flash storage		
Certifications	CE (Class B), FCC (Class B), UL 60950, Vibration tested to EN60068-2-6, IP65 rated (front) IP20 rated (rear)		



EQT2-4 Dimensions

- A: 121 mm (4.76") D: 110 mm (4.33")
 B: 82 mm (3.23") E: 74 mm (2.91")
 C: 49 mm (1.93") F: 42 mm (1.65")

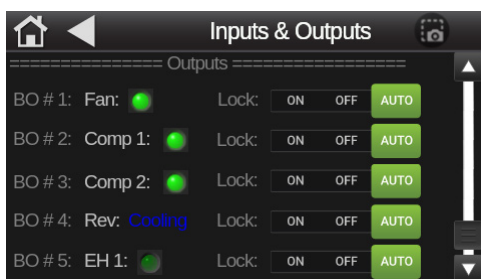
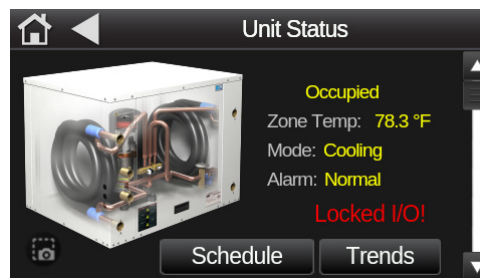
EQT2-7 Dimensions

- A: 185 mm (7.28") D: 175 mm (6.89")
 B: 128 mm (5.04") E: 118 mm (4.65")
 C: 46 mm (1.81") F: 39 mm (1.52")

EQT2-10 Dimensions

- A: 267 mm (10.5") D: 244 mm (9.61")
 B: 182 mm (7.17") E: 159 mm (6.26")
 C: 47 mm (1.85") F: 39 mm (1.52")

Sample Screenshots



1025 Cobb Place Boulevard, Kennesaw, GA 30144
 770-429-3060 | oemctrl.com

© Automated Logic 2018

