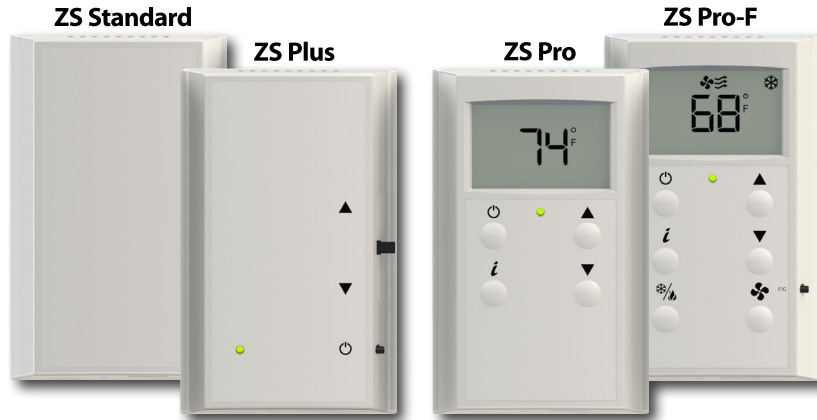
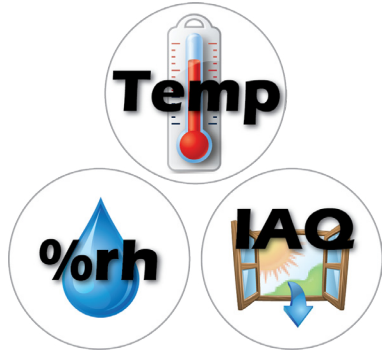


Flexible Communicating Sensors

ZS Sensors

The OEMCTRL line of intelligent zone sensors provides the function and flexibility you need to manage the conditions important to the comfort and productivity of the zone occupants. The ZS sensors are available in a variety of zone sensing combinations to address your application needs. These combinations include temperature, relative humidity, and indoor air quality (carbon dioxide or VOCs (Volatile Organic Compounds)). They are built to be flexible allowing for easy customization of what the user/technician sees. Designed to work with all OEMCtrl controllers the ZS sensor line includes the ZS Base, ZS Plus, ZS Pro and ZS Pro-F.

Combination Sensing

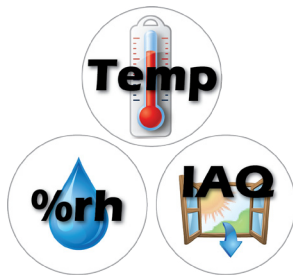
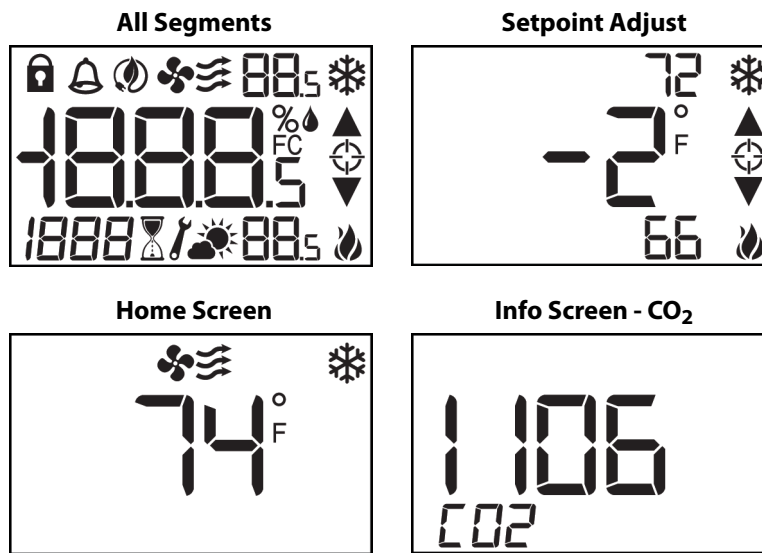


Features	ZS Standard	ZS Plus	ZS Pro	ZS Pro-F
Temp, CO ₂ , Humidity, and VOC Options	√	√	√	√
Neutral color	√	√	√	√
Addressable / supports daisy-chaining	√	√	√	√
Hidden communication port	√	√	√	√
Mounts on a standard 2" by 4" electrical box	√	√	√	√
Occupancy status indicator		√	√	√
Push-button occupancy override		√	√	√
Setpoint adjust		√	√	√
Large, easy-to-read LCD			√	√
Alarm indicator			√	√
Fan speed control				√
Cooling / Heating / Fan Only - Mode Control				√
°F to °C conversion button				√

Options	Part Number	Part Number	Part Number	Part Number
Temperature Only	ZS-BNK	ZSPL-BNK	ZSP-BNK	ZSPF-BNK
Temp with CO ₂	ZS-C-BNK	ZSPL-C-BNK	ZSP-C-BNK	ZSPF-C-BNK
Temp with Humidity	ZS-H-BNK	ZSPL-H-BNK	ZSP-H-BNK	ZSPF-H-BNK
Temp with VOC	ZS-V-BNK	ZSPL-V-BNK	ZSP-V-BNK	ZSPF-V-BNK
Temp, Humidity, CO ₂	ZS-HC-BNK	ZSPL-HC-BNK	ZSP-HC-BNK	ZSPF-HC-BNK
Temp, Humidity, VOC	ZS-HV-BNK	ZSPL-HV-BNK	ZSP-HV-BNK	ZSPF-HV-BNK

Sensing Element	Range	Accuracy
Temperature (on non-Humidity models)	-4° to 122° F (-20° C to 50° C)	±0.35° F (0.2° C)
Temperature (on Humidity models)	50° F to 104° F (10° C to 40° C)	±0.5° F (0.3° C)
Humidity	10% to 90%	±1.8% typical
CO ₂	400 to 1250 PPM 1250 to 2000 PPM	±30PPM or +/-3% of reading (greater of two) ±5% of reading plus 30 PPM
VOC	0 to 2,000 PPM	±100 PPM
Power Requirements	Sensor Type	Power Required
Temperature Only Temperature with Humidity	All Models	12 Vdc @ 8 mA
Temp with VOC, or Temp/VOC/Humidity	All Models	12 Vdc @ 60 mA
Temp with CO ₂ , or Temp/ CO ₂ /Humidity	All Models	12 Vdc @ 15 mA (idle) to 190 mA (CO ₂ measurement cycle)
Power Supply	A controller supplies the Rnet sensor network with 12 Vdc @ 210 mA. Additional power may be required for your application. See sensor ZS Installation Guide	
Communication	115 kbps Rnet connection between sensor(s) and controller 15 sensors max per Rnet network; 5 sensors max per control program	
Local Access Port	For connecting a laptop computer to the local equipment for maintenance and commissioning	
Environmental Operating Range	32° to 122° F (0° - 50° C), 10% to 90% relative humidity, non-condensing	
Mounting Dimensions	Standard 4"x 2" electrical box using provided 6/32" x 1/2" mounting screws	

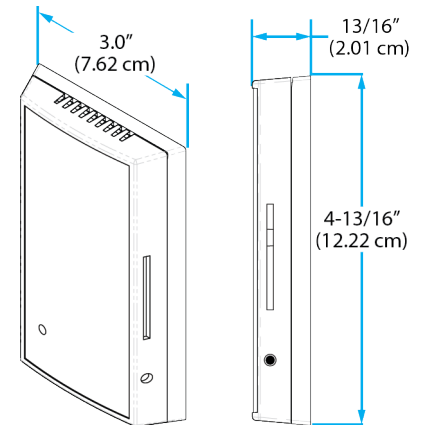
ZS Pro & Pro-F Display



- 96 Individually controlled elements
- Symbols for easy identification of modes
- Flexible Setpoint Adjust
- Easily customize what user/tech sees
- Special icon for Energy Savings mode
- Prohibit button presses with lockout feature
- Display override time remaining
- Force equipment into unoccupied mode to save energy

Sensor Dimensions

Temperature Only or Temperature with Humidity



Sensor with CO₂ or VOC

